

Faucet aerators and water/energy conservation



What do all these faucets have in common?...



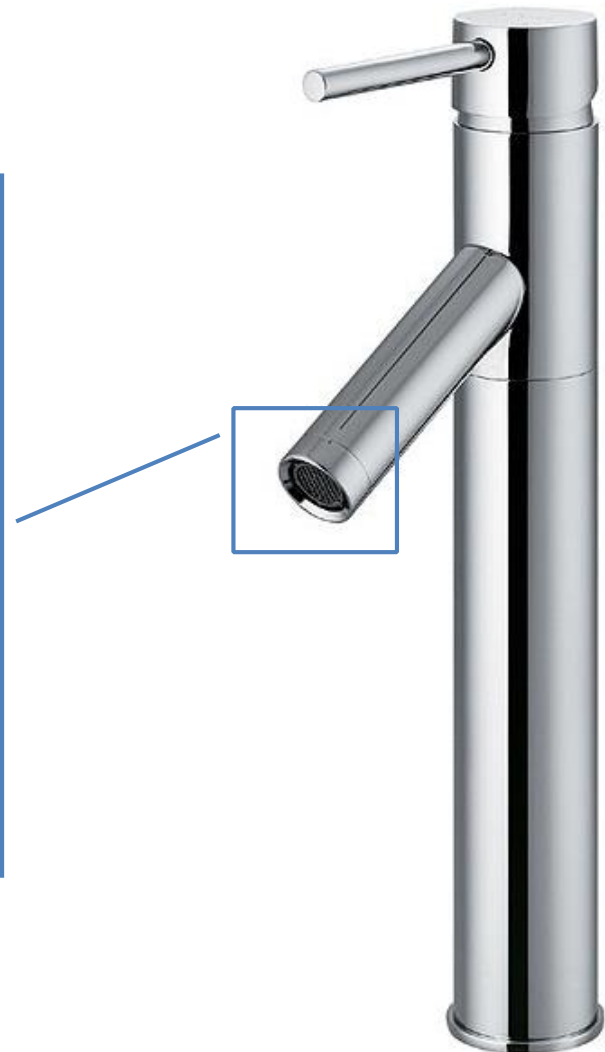
flow, stop and go®



... A faucet aerator!



flow, stop and go®



NEOPERL manufactures components for these leading plumbing manufacturers

NEOPERL®

flow, stop and go®



What does a faucet aerator do?

NEOPERL®

flow, stop and go®



1. Controls the maximum **flow rate**
2. Shapes the water **stream** (reduces splashes)
3. Allows the faucet to be flushed and its outlet to be cleaned (**removable**)

Flow rate and water conservation

NEOPERL®

flow, stop and go®



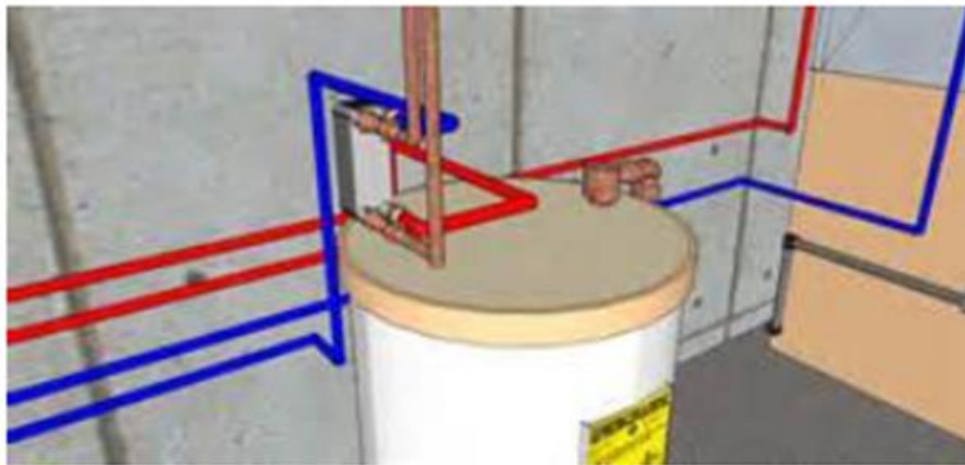
Gallons per minute (GPM):

*Save up to:



*Water savings based on national standard of 2.2 gpm.

“ Approximately **70%** of the water used in a household is **HOT water** “
US EPA, Watersense High-Efficiency bathroom faucet specification



Flow rate and ENERGY conservation

NEOPERL®

flow, stop and go®



2.2 gpm



1.5 gpm (faucets)

Gallons per minute (GPM):

*Save up to:



*Water savings based on national standard of 2.2 gpm.

“ The **average household** can save 81 kWh of electricity or 400 cubic feet of natural gas each year “

“ **National savings** could exceed 3 billion kWh of electricity and 24 billion of natural gas each year “

Source: US EPA, Watersense High-Efficiency bathroom faucet specification

“ National savings could exceed 3 billion kWh of electricity...”

Neoperl – Waterbury, CT

System Size: 500 kW



NEOPERL Inc.
171 Mattatuck Heights Rd.
Waterbury, CT 06705

Roof Area: ~60,000 sf
Solar PV Size: 500 kW

Solar Incentives:

- Federal 30% Tax Credit
- Federal Depreciation
- Net Metering
- C-PACE Financing
- CEFA Solar Lease
- CT ZREC Program

500 kWh

Vs

3,000,000,000 kWh

Changing faucet aerators comes with additional benefits...

NEOPERL®

flow, stop and go®

On top: **Sediments**



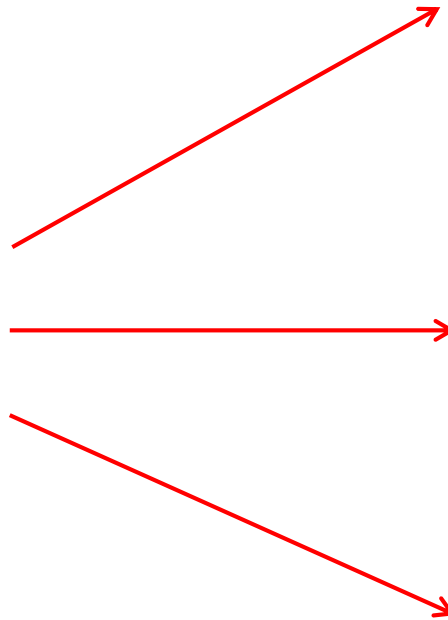
At the bottom: **Scaling**



... a brand new nice stream...

NEOPERL®

flow, stop and go®



... and lower water and sewer bills.

NEOPERL®

flow, stop and go®



Faucet aerators are easy to remove and install...

NEOPERL®

flow, stop and go®



Twist aerator off with hand...



...Or use pliers.

Stop by our tabletop today to pick up *your sample kit!*

NEOPERL®

flow, stop and go®

PCA® Cascade® SLC® 1.2 gpm Regular Insert



Lime buildup is a common problem in many areas with hard water. Lime buildup on wire mesh aerator screens dramatically shortens the life of faucet aerators. Over the years, NEOPERL® has improved its aerators to alleviate this problem. From the lime resistant Perlator® Honeycomb® which replaces the wire mesh screens to the Cascade® construction that prevents lime buildup.



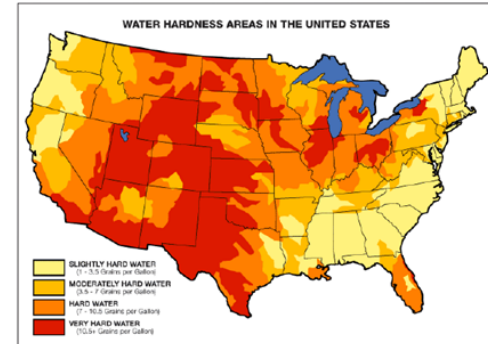
PCA® Spray SLC® 0.35gpm Regular Insert



The NEOPERL® PCA® Spray 0.35gpm ultimate low flow regular insert provides the specified flow rate throughout the pressure range, with a constant non-aerated "shower like" stream, and helps gain LEED® points toward building certification. Simply rubbing the silicone tips eliminates lime buildup to maintain stream quality and avoid splashing. The anti-clogging white dome screen filters sediment and particles.



The ultimate solution to lime buildup is the easy to clean soft silicone tip available on the SLC® faucet aerator. Simply rub the lime away!



Made in America since 1938

NEOPERL®

flow, stop and go®



NEOPERL has been manufacturing plumbing products in Waterbury, CT since 1938.

We currently employ a staff of 70 people at this 60,000 sq.ft location including 50 people in production.

Your contacts at the HWF 2017:



Fred Fraisse

Managing Director at NEOPERL, Inc.
Waterbury, Connecticut | Building Materials



Marie-Helene Pernin

VP Sales & Marketing at NEOPERL, Inc.
Waterbury, Connecticut | Building Materials